

# H.P. GOVERNMENT EMPLOYEES AS ON 31.3.2009

## 1. GENERAL

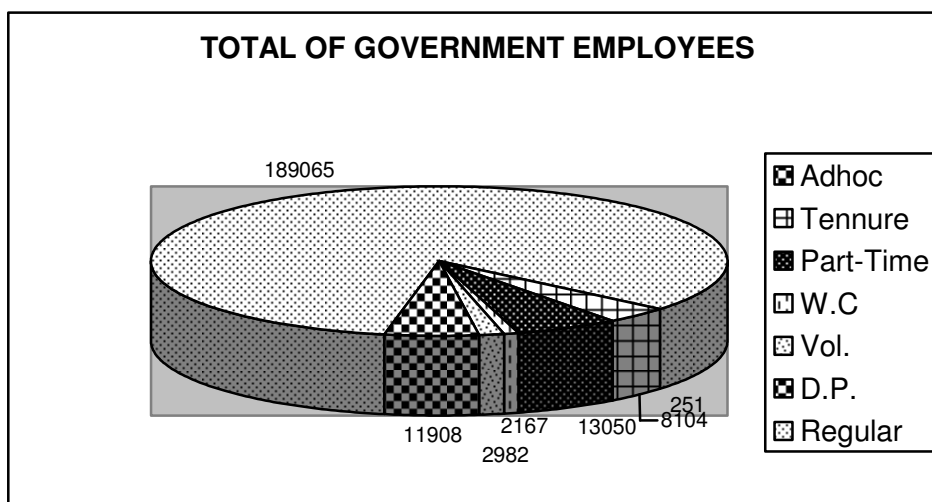
The data regarding the State Government employees is collected every year by the Department of Economics and Statistics, Himachal Pradesh with an object to ascertain the volume of employment in the State. The information is collected for all Himachal Pradesh Government employees including employees of Government undertakings, Corporations, Boards and Local Bodies etc. for all Regular, Non-Regular, Daily-paid, Work-charged, Adhoc, Tenure/Contract etc. in position as on 31<sup>st</sup> March. The data collected contains the detail of employees according to social status, sex-wise, class-wise, basic pay range, total emoluments and concentration of employees at different places. The information thus compiled over different years present the status and trend of employment in Government sector in the wake of implementation of various Plans, Programmes and Schemes under Five Year Plans.

The present report which is 52<sup>nd</sup> in series presents the count of H.P. Govt. employees as on 31.3.2009 working in various Govt. departments, Public undertakings and Local Bodies of the Pradesh. The information is collected from all the Heads of Departments at Headquarters and DDO's at Districts.

## 2. EMPLOYEES OF GOVERNMENT DEPARTMENTS

### (i) Volume

The total number of employees as on 31.3.2009 stood at 227527 out of which 189065 i.e. 83 percent were regular employees and 38462 or 17 percent were non-regular employees. The number of Adhoc employees were 251, Tenure/Contract employees 8104, Part time employees 13050, Work-charged employees 2167, Voluntary employees 2982 and Daily-paid employees were 11908.



Taking 31.3.1990 as the base year, the index of regular employees increased to 169 as on 31.3.2009.

The indices of regular Government employees over previous decade have been shown in the following table :

H.P. Govt. Employees Index No. ( Base 31.3.90=100)

Sr.No.	As on	Total no. of regular employees (in lakh)	Index of employees (Base year 1990=100)
1	31.3.1990	1.12	100
2	31.3.1991	1.14	102
3	31.3.1992	1.15	103
4	31.3.1993	1.13	101
5	31.3.1994	1.13	101
6	31.3.1995	1.15	103
7	31.3.1996	1.18	105
8	31.3.1997	1.21	108
9	01.1.1998	1.24	111
10	31.3.1999	1.32	118
11	31.3.2000	1.36	121
12	31.3.2001	1.40	125
13	31.3.2002	1.44	128
14	31.3.2003	1.47	131
15	31.3.2004	1.47	131
16	31.3.2005	1.45	129
17	31.3.2006	1.62	145
18	31.3.2007	1.74	156
19	31.3.2008	1.83	164
20	31.3.2009	1.89	169

( ii) **Status-wise employees**

**Classification of employees according to their status**

Category	No.of regular Employees as on 31.3.2009	Percentage
Gazetted	10021	5.3
Non-Gazetted	179044	94.7
Total	189065	100.0

As on 31.3.2009, the percentage of gazetted employees was 5.3 and non-gazetted employees was 94.7 percent respectively.

The number of gazetted and non-gazetted employees since 1990 has been given in the following table:-

Gazetted and Non-Gazetted regular employees						
Sr. No	As on	Gazetted		Non-Gazetted		Ratio of Gazetted to Non-Gazetted
		Number	Index	Number	Index	
1	2	3	4	5	6	7
1	31.3.1990	6900	100.0	104800	100.0	1:15
2	31.3.1991	7523	109.0	106328	101.5	1:14
3	31.3.1992	7609	110.3	107222	102.3	1:14
4	31.3.1993	7393	107.1	105324	100.5	1:14
5	31.3.1994	7704	111.7	105335	100.5	1:14
6	31.3.1995	8399	121.7	107094	102.2	1:13
7	31.3.1996	9104	131.9	108840	103.9	1:12
8	31.3.1997	7287	105.6	113416	108.2	1:16
9	01.1.1998	7753	112.4	115873	110.6	1:15
10	31.3.1999	10683	154.8	121236	115.7	1:11
11	31.3.2000	10569	153.2	125516	119.8	1:12
12	31.3.2001	10775	156.1	129107	123.2	1:12
13	31.3.2002	8415	122.0	136031	129.8	1:16
14	31.3.2003	8983	130.2	138056	131.7	1:15
15	31.3.2004	9257	134.1	137676	131.4	1:15
16	31.3.2005	9273	134.4	136283	130.0	1:15
17	31.3.2006	8724	126.4	153079	146.1	1:18
18	31.3.2007	8854	128.3	165534	158.0	1:19
19	31.3.2008	9174	133.0	173572	165.6	1:19
20	31.3.2009	10021	145.2	179044	170.8	1:18

The above table reveals that in Himachal Pradesh there is one gazetted officer for 18 non-gazetted employees.

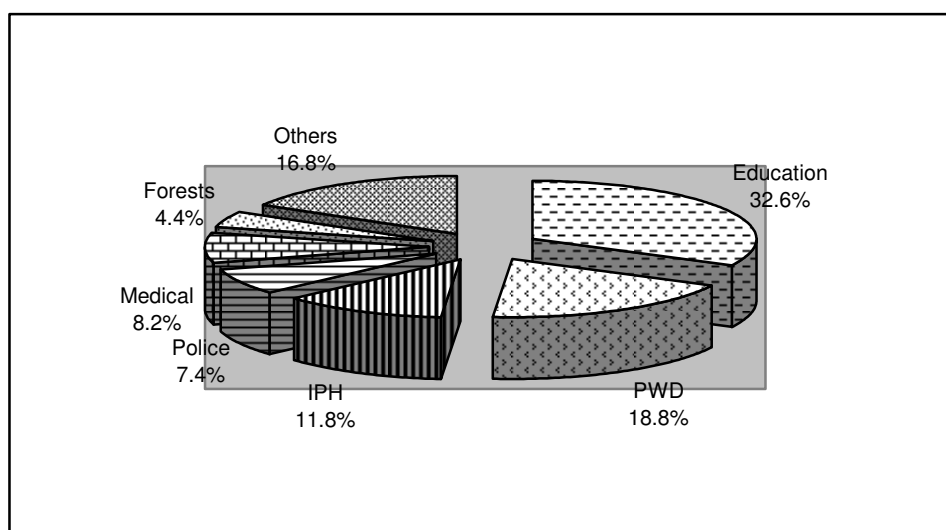
(iii) Distribution among various departments

The distribution of regular employees according to departments as on 31.3.2009 have been given in table-5.

As per data shown in table-5, it is observed that out of the total 189065 regular employees of the govt. 61683 were in the Education department followed by 35525 in Public Works, 22323 in IPH, 15424 in Medical, 14068 in Police, 8257 in Forests and 31631 in other departments.

The following table and chart shows the number of employees in some major departments:-

Sl. No.	Departments	As on 31.3.2009	Percentage to total
1	Education	61683	32.6
2	Public Works	35525	18.8
3	I.P.H	22323	11.8
4	Medical	15424	8.2
5	Police	14068	7.4
6	Forests	8257	4.4
7	Others	31785	16.8
	Total	189065	100.00



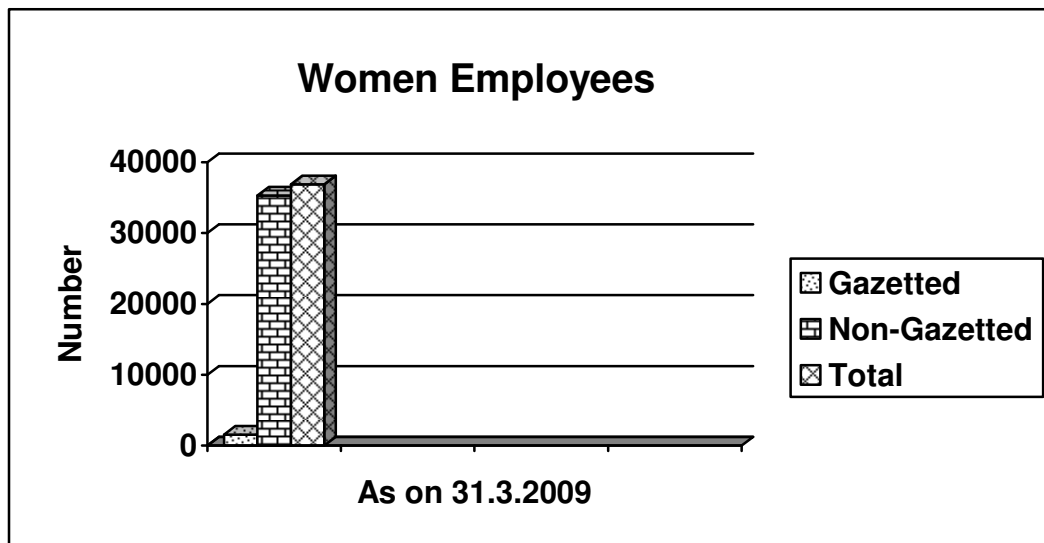
**Position of regular employees in major departments**

**(iv) Women Employees**

Total number of women employees was 36848(19.5 %) out of which 1545 i.e. 4.2 percent were reported to be in gazetted cadre and 35303 i.e. 95.8 percent in non-gazetted cadre as on 31.3.2009. The details are depicted in the following table:-

**Cadre-wise women employees  
as on 31.3.2009**

Sr. no	Cadre	Number of women employee	Percentage to total
.	1	2	3
1	Gazetted	1545	4.2
2	Non-Gazetted	35303	95.8
3	Total	36848	100.0

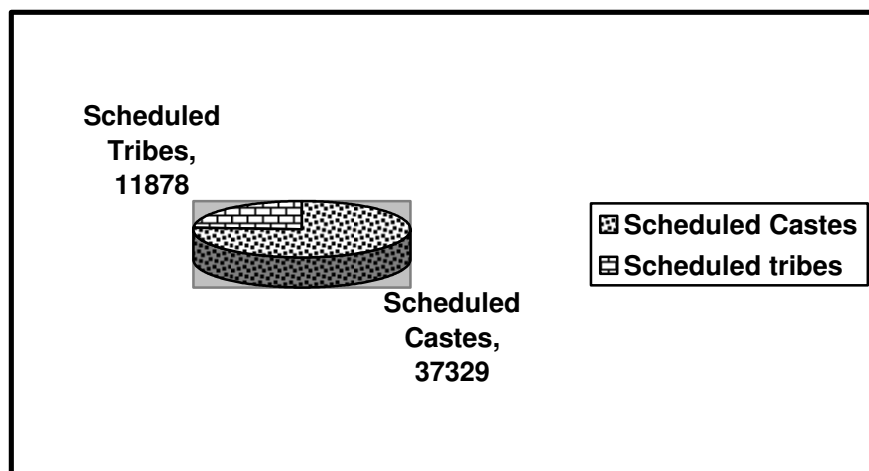


The percentage of women employees (Gazetted) was 15.4 percent and 19.7 percent (Non-Gazetted) to the total gazetted and non-gazetted employees of the State respectively.

The highest number of 22182 women were employed in Education Department followed by 6038 in Medical department.

(v) Employment of Scheduled Castes and Scheduled Tribes

The number of S.C. and S.T. regular Government employees were reported 37329 and 11878 as on 31.3.2009 which was 19.7 and 6.3 percent of the total 189065 regular employees.



(vi) District-wise distribution of Regular Government Employees

Shimla district had a total of 35074 employees out of which 10934 employees pertain to employees of state headquarter offices at Shimla and 24140 as the district employees.

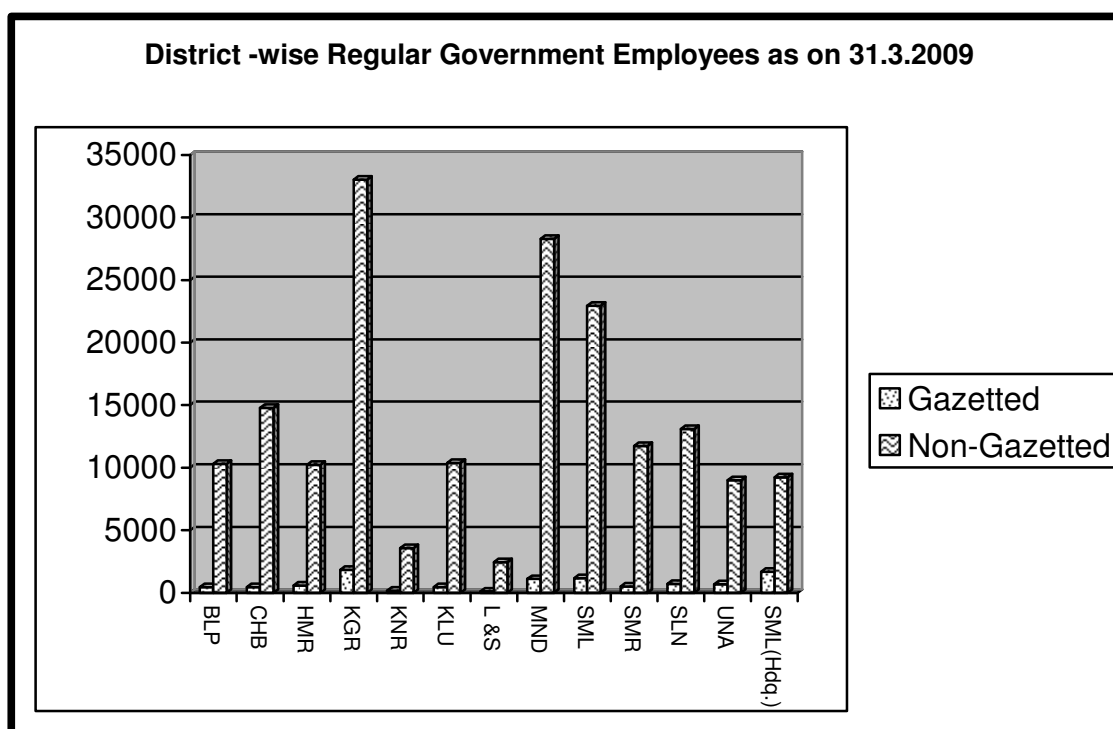
In Kangra district the maximum number of employees were 34871 which counted for 18 % of the total state govt. employees.

Among the district employees Kangra had the maximum no. of 34871 (18%) employees followed by Mandi district i.e.29424 (16 %).

A comparative position of Non-Gazetted and Gazetted Employees at district level is summarized in the following table:-

Sl. No.	District	Non-Gazetted	Percentage to total	Gazetted	Percentage to total
1	Kangra	33023	18.4	1848	18.4
2	Mandi	28307	15.8	1117	11.1
3	Shimla	22966	12.8	1174	11.7
4	Chamba	14770	8.3	471	4.7
5	Solan	13086	7.3	727	7.3
6	Sirmaur	11728	6.6	508	5.1
7	Kullu	10384	5.8	453	4.5
8	Hamirpur	10223	5.7	587	5.9
9	Bilaspur	10295	5.7	454	4.5
10	Una	8997	5.0	691	6.9
11	Kinnaur	3577	2.0	178	1.8
12	L & S	2452	1.4	115	1.2
13	Headquarter offices at Shimla	9236	5.2	1698	16.9
	<b>Total</b>	<b>179044</b>	<b>100.00</b>	<b>10021</b>	<b>100.00</b>

**District –wise Regular Govt. Employees as on 31.3.2009**

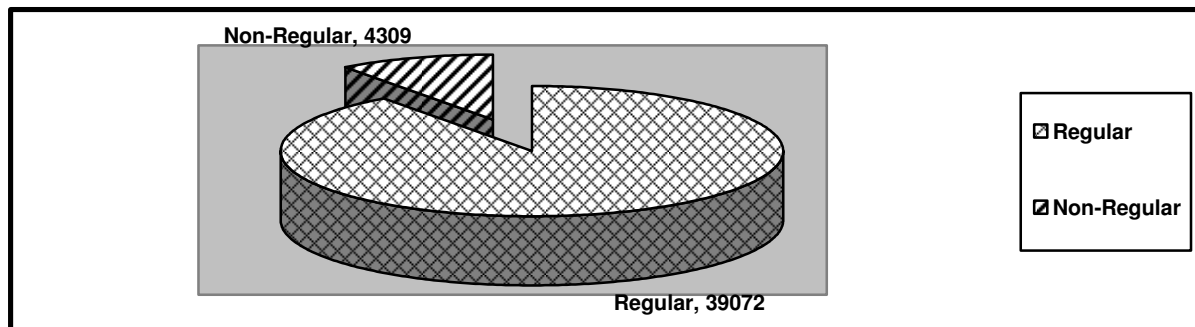


### **3. DISTRIBUTION OF EMPLOYEES IN PUBLIC UNDERTAKINGS**

There were 43381 employees in state Public Undertakings, out of which 39072 were regular and 4309 were non-regular as on 31.3.2009. Out of the total 43381 employees of Public Undertakings 26668 (61.5 %) were in the H.P. State



Electricity Board followed by 7886 (18.2 %) in HRTC and 3096 (7.1 %) in H.P. State Forest Corporation.



#### 4. DISTRIBUTION OF EMPLOYEES IN LOCAL BODIES

There were total 3762 employees in local bodies, out of which 3306 were regular and 456 non-regular as on 31.3.2009. Out of the total 3762 employees of local bodies Shimla Municipal Corporation has the highest share of 1514 employees which is 40.2 % of the total followed by 493 employees in Municipal Committee, Solan, 395 in Kangra, and 305 in Mandi.

